

Standard executions		
Version	Symbol	Type
Standard		ARTM
Flanged		ARTMF
Magnetic		ARTMC
Flanged magnetic		ARTMFC
Standard with adjustable angle		ARTML
Flanged with adjustable angle		ARTMFL
Magnetic with adjustable angle		ARTMLC
Flanged magnetic with adjustable angle		ARTMFLC

Options	Suffix
Special versions on request	/ S



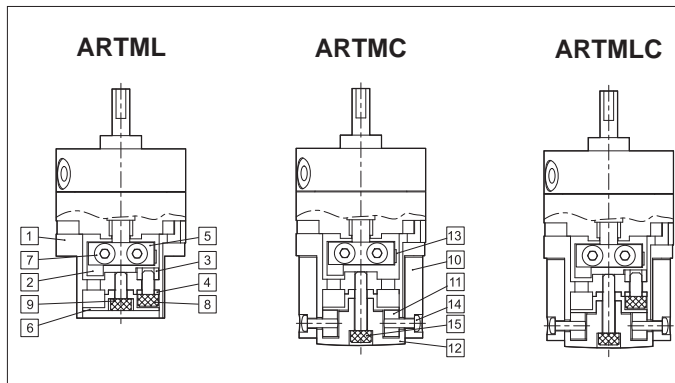
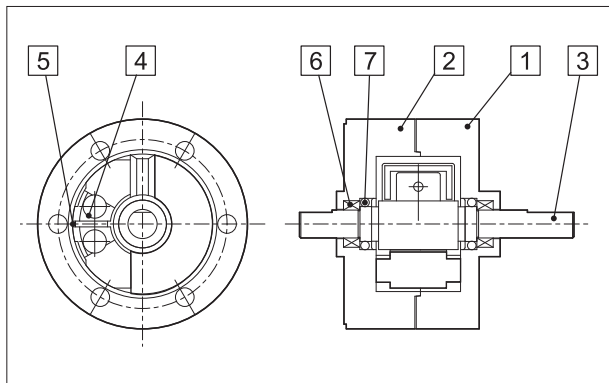
Series of Hi-rotor cylinders with fixed and adjustable rotation angles and reduced overall dimensions. They are provided with elastic dampers to relieve the impacts of the vanes.

For the magnetic reed switches type ASC see from page 1.110.2.

How to order: 15 / 90° ARTML

15	/	90°	ARTML
Size	/	Rotation	Type

Technical data						
Size		10	15	20	30	40
Bores		Ø 4	Ø 5	Ø 6	Ø 8	Ø 10
Fluid	Compressed filtered air with or without lubrication. Lubrication, if be used, must be continuous					
Pressure range	1,5 ÷ 7 bar					
Temperature range	0° C ÷ + 50° C					
Rotation angle	90° - 180° - 270°					
Torque moment (Nm) at 6 bar		0,14	0,38	0,78	1,8	3,8
Ports	M5					
Weight (g)	ARTM-ARTML	28	48	112	200	342
	ARTMF-ARTMFL	41	70	138	268	438
	ARTMC-ARTMLC	78	116	240	390	604
	ARTMFC-ARTMFLC	91	138	266	468	700



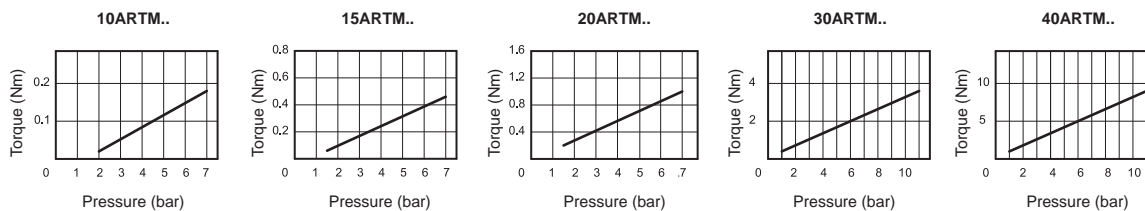
Materials (standard types)

1	Front cover	Aluminium alloy
2	End cover	Aluminium alloy
3	Rod	Steel alloy
4	Stopper	Plastic - Steel
5	O-ring	Nitrilic rubber NBR
6	Bearing	Steel
7	O-ring	Nitrilic rubber NBR

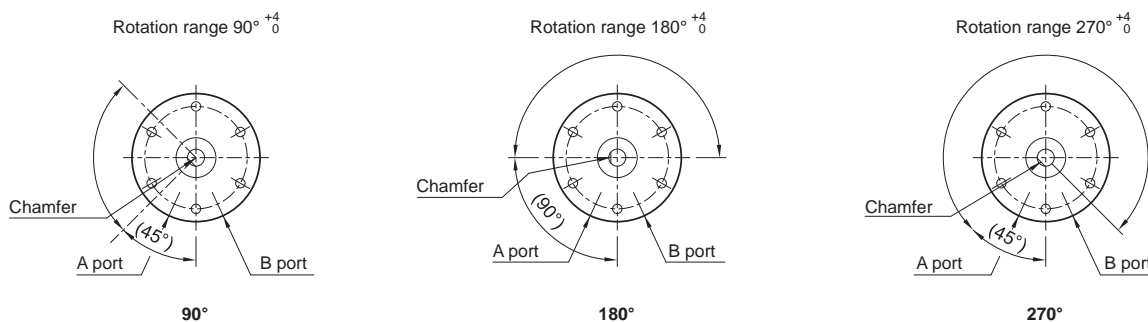
Materials (standard types)

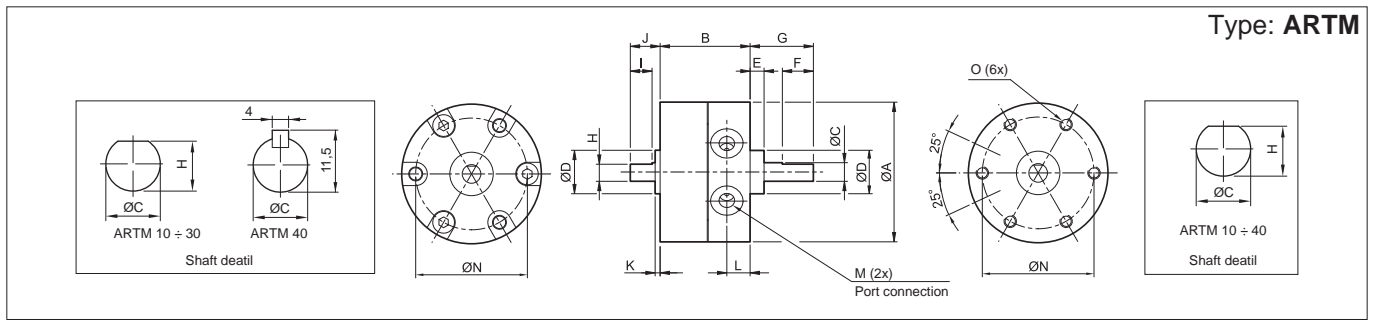
1	Position base	Zinc alloy
2	Position lump	Stainless steel
3	Angle location lump	Steel
4	Angle location slice	Steel
5	Lump	Stainless steel
6	End cover	Aluminium
7	Screw	Steel alloy
8	Screw	Steel alloy
9	Screw	Steel alloy
10	Mounting base	Aluminium alloy
11	Base and lump	Aluminium alloy
12	End cover	Aluminium alloy
13	Magnet	TME
14	Screw	Steel alloy
15	Screw	Steel alloy

Output torque table

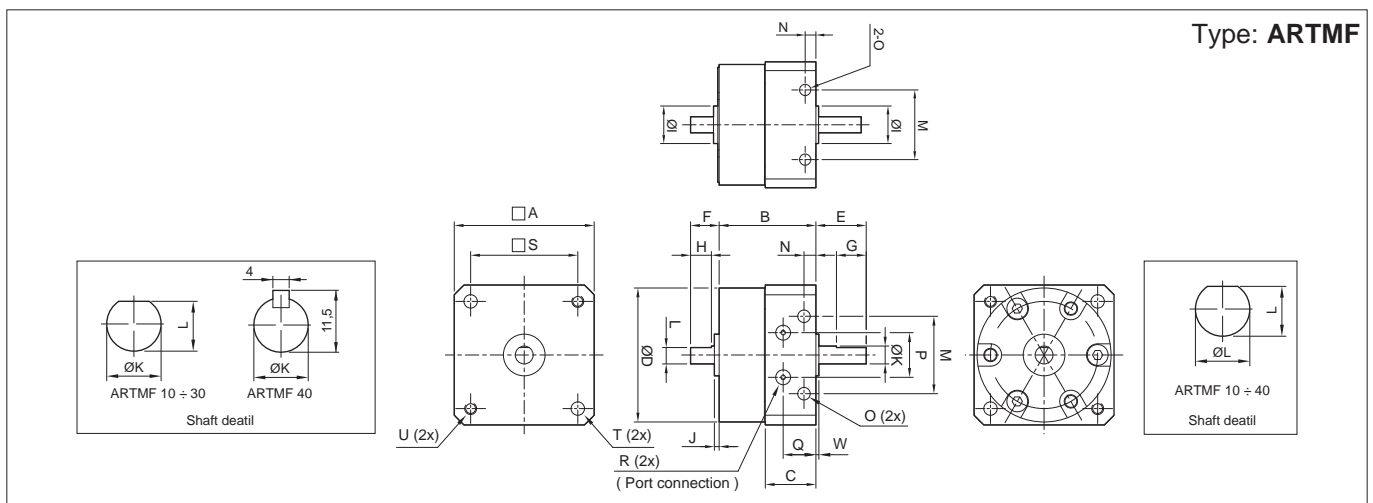


Rotation angle

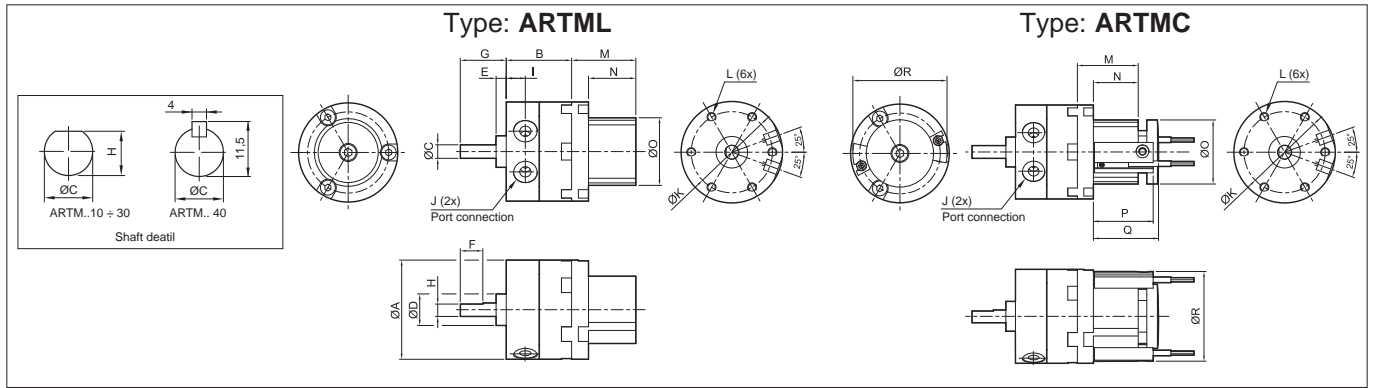




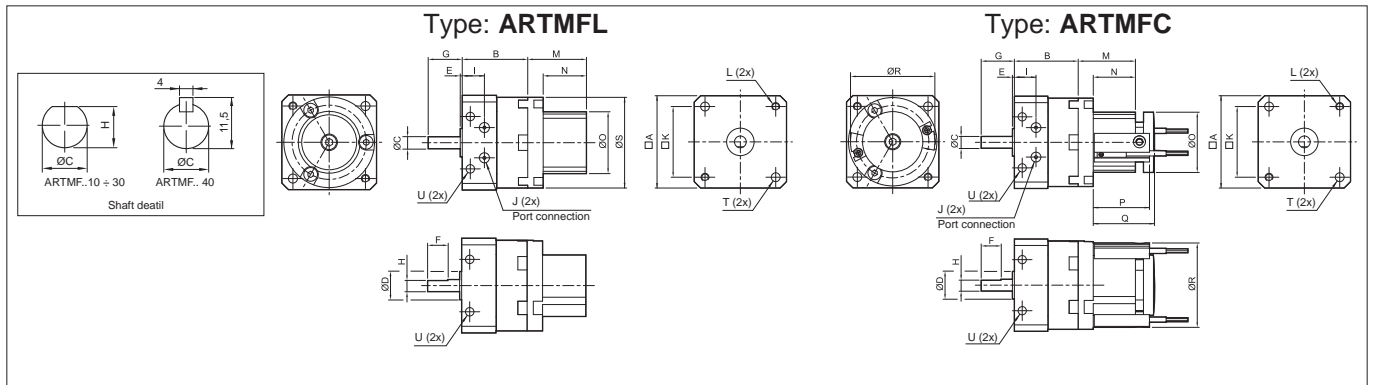
Item	A	B	C	D	E	F	G	H	I	J	K	L	M	N	O
10/90ARTM	30	17	4	9	3	9	14	3,5	5	8	1	4,2	M5x0,8p	24	M3x0,5p
10/180ARTM															
10/270ARTM															
15/90ARTM	35	20,1	5	12	4	10	18	4,5	6	9	1,5	5	M5x0,8p	29	M3x0,5p
15/180ARTM															
15/270ARTM															
20/90ARTM	44	29,1	6	14	4,5	10	20,3	5,5	7	9,6	1,6	8,5	M5x0,8p	36	M3x0,5p
20/180ARTM															
20/270ARTM															
30/90ARTM	51	40	8	16	5	12	22	7,5	8	13	2	11	M5x0,8p	43	M3x0,5p
30/180ARTM															
30/270ARTM															
40/90ARTM	64	45	10	25	6,5	22	30	9	9	15	4,5	9,5	M5x0,8p	56	M3x0,5p
40/180ARTM															
40/270ARTM															



Item	A	B	C	D	E	F	G	H	I	J	K	L	M	N	O	P	Q	R	S	T	U	V	W
10/90ARTMF	31	22	13,3	30	14	8	9	5	9	1	4	3,5	17	3	3,5	10,5	9,2	M5x0,8p	25	3,5	M3x0,5p	24	1
10/180ARTMF																							
10/270ARTMF																							
15/90ARTMF	36	25,7	15,5	35	18	9	10	6	12	1,5	5	4,5	21	3	3,5	10,5	10,5	M5x0,8p	29	3,5	M3x0,5p	29	1,5
15/180ARTMF																							
15/270ARTMF																							
20/90ARTMF	44	33,6	19	44	20	10	10	7	14	1,6	6	5,5	26	4	4,2	15	13	M5x0,8p	36	4,5	M3x0,5p	36	1
20/180ARTMF																							
20/270ARTMF																							
30/90ARTMF	52	47,5	27,2	51	22	13	12	8	16	2	8	7,5	29	4,5	5,5	13,5	18,5	M5x0,8p	42	5,5	M3x0,5p	43	2
30/180ARTMF																							
30/270ARTMF																							
40/90ARTMF	64	53	30,4	64	30	15	22	9	25	4,5	10	9	38	5	5,5	19	14	M5x0,8p	52	5,5	M3x0,5p	56	3
40/180ARTMF																							
40/270ARTMF																							



Item		A	B	C	D	E	F	G	H	I	J	K	L	M	N	O	P	Q	R
10/90ARTML	10/90ARTMC	30	17	4	9	3	9	14	3,5	4,2	M5x0,8p	24	M3x0,5p	24	18	18	23,3	24	29
10/180ARTML	10/180ARTMC																		
10/270ARTML	10/270ARTMC																		
15/90ARTML	15/90ARTMC	35	20,1	5	12	4	10	18	4,5	5	M5x0,8p	29	M3x0,5p	28	22	24	27,3	29,5	34
15/180ARTML	15/180ARTMC																		
15/270ARTML	15/270ARTMC																		
20/90ARTML	20/90ARTMC	44	29,1	6	14	4,5	10	20,3	5,5	8,5	M5x0,8p	36	M3x0,5p	28,5	21	30	28	30,5	42
20/180ARTML	20/180ARTMC																		
20/270ARTML	20/270ARTMC																		
30/90ARTML	30/90ARTMC	51	40	8	16	5	12	22	7,5	11	M5x0,8p	43	M3x0,5p	32,5	24	34	30,8	34	47
30/180ARTML	30/180ARTMC																		
30/270ARTML	30/270ARTMC																		
40/90ARTML	40/90ARTMC	64	45	10	25	6,5	22	30	-	9,5	M5x0,8p	56	M3x0,5p	34,5	26	34	33	36	47
40/180ARTML	40/180ARTMC																		
40/270ARTML	40/270ARTMC																		



Item		A	B	C	D	E	F	G	H	I	J	K	L	M	N	O	P	Q	R	S	T	U
10/90ARTMFL	10/90ARTMFC	31	22	4	9	1	9	14	3,5	9,2	M5x0,8p	25	M3x0,5p	24	18	18	23,3	24	29	30	3,5	3,5
10/180ARTMFL	10/180ARTMFC																					
10/270ARTMFL	10/270ARTMFC																					
15/90ARTMFL	15/90ARTMFC	36	25,7	5	12	1,5	10	18	4,5	10,5	M5x0,8p	29	M3x0,5p	28	22	24	27,3	29,5	34	35	3,5	3,5
15/180ARTMFL	15/180ARTMFC																					
15/270ARTMFL	15/270ARTMFC																					
20/90ARTMFL	20/90ARTMFC	44	33,6	6	14	1	10	20	5,5	13	M5x0,8p	36	M3x0,5p	28,5	21	30	28	30,5	42	44	4,5	4,2
20/180ARTMFL	20/180ARTMFC																					
20/270ARTMFL	20/270ARTMFC																					
30/90ARTMFL	30/90ARTMFC	52	47,5	8	16	2	12	22	7,5	18,5	M5x0,8p	42	M3x0,5p	32,5	24	34	30,8	34	47	51	5,5	5,5
30/180ARTMFL	30/180ARTMFC																					
30/270ARTMFL	30/270ARTMFC																					
40/90ARTMFL	40/90ARTMFC	64	53	10	25	3	22	30	-	14	M5x0,8p	52	M3x0,5p	34,5	26	34	33	36	47	64	5,5	5,5
40/180ARTMFL	40/180ARTMFC																					
40/270ARTMFL	40/270ARTMFC																					

Esecuzioni standard		
Version	Symbol	Type
Standard		ARTM
Magnetic		ARTMC
Standard adjustable angle		ARTML
Magnetic adjustable angle		ARTMLC



Series of Hi-rotor cylinders with fixed and adjustable rotation angles and reduced overall dimensions. They are provided with elastic dampers to relieve the impacts of the vanes.

For mounting accessories see from page 1.50.10.

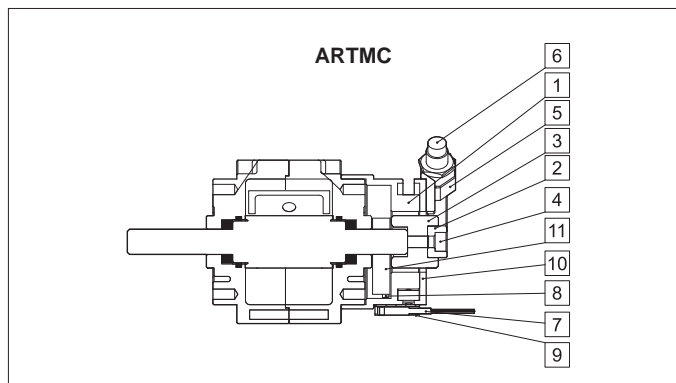
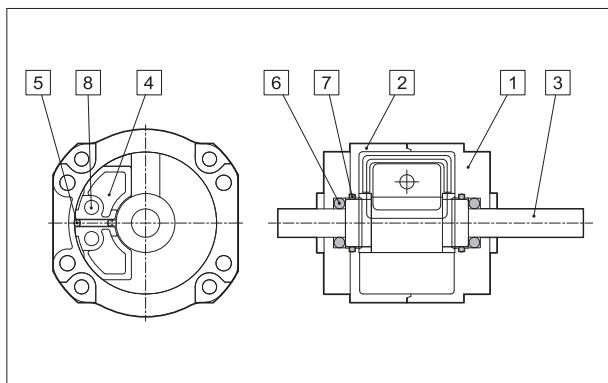
For the magnetic reed switches type ASC see from page 1.110.2.

How to order: 50 / 90° ARTML

Options	Suffix
With shock absorber	D
Special versions on request	/ S

50	/	90°	ARTML
Size	/	Rotation	Type

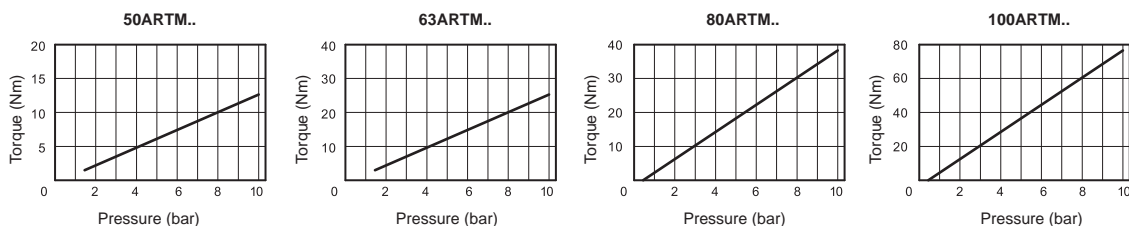
Technical data					
Size	50	63	80	100	
Bores	Ø 12	Ø 15	Ø 17	Ø 25	
Fluid	Compressed filtered air with or without lubrication. Lubrication, if started, must be continued.				
Pressure range	1,5 ÷ 7 bar				
Temperature range	0° C ÷ + 50° C				
Rotation angle	90° - 180° - 270°				
Torque moment (Nm) at 6 bar	5	10	18	35	
Ports	1/8"		1/4"		
Weight (g)	ARTM-ARTML	760	1290	1920	3560
	ARTMC-ARTMLC	1100	1150	2300	3900



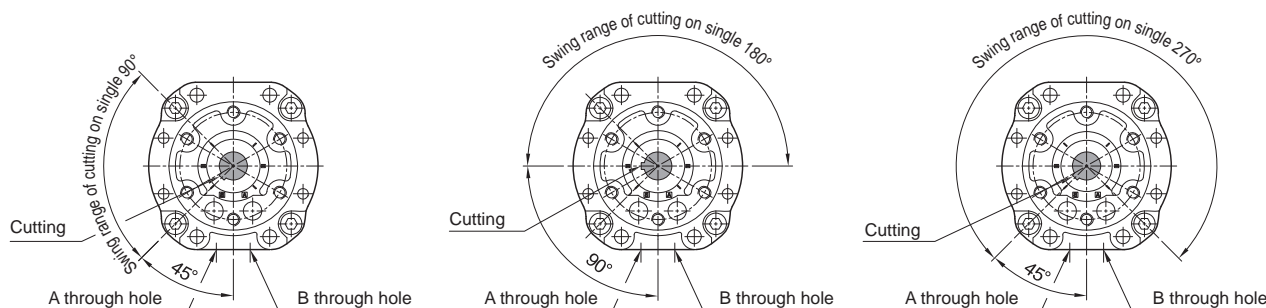
Materials (standard types)		
1	Front body	Aluminium alloy
2	End body	Aluminium alloy
3	Rod	Steel alloy
4	Position block	Aluminium alloy
5	O-ring	Nitrilic rubber NBR
6	Bearing	Steel
7	O-ring	Nitrilic rubber NBR
8	Position pin	Steel

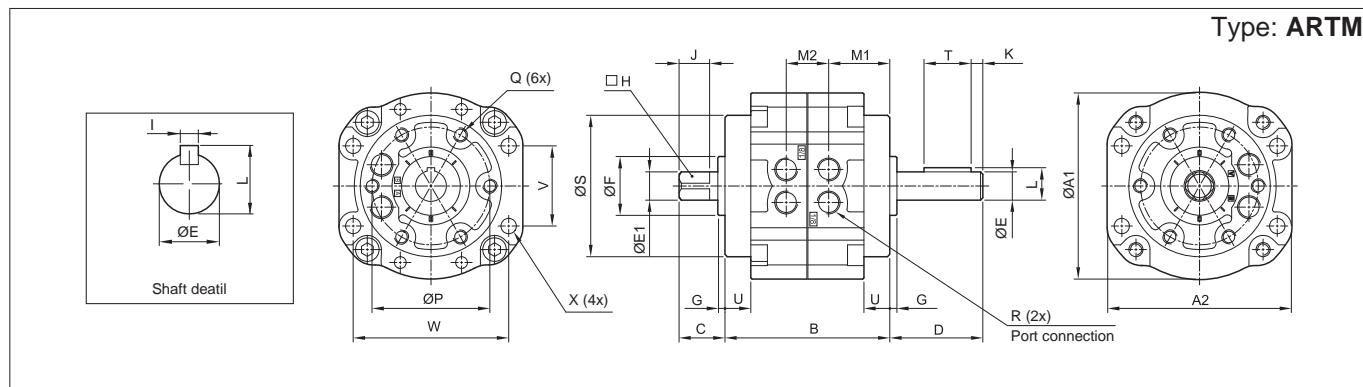
Materials (standard types)		
1	Position base	Aluminium alloy
2	Rocker arm	Stainless steel
3	Rocker arm seat	Stainless steel
4	Screw	Steel alloy
5	Angle adjustment	Aluminium alloy
6	Shock absorber	-
7	Sensor switch	-
8	Magnet	Rare earth materials
9	Mounting base	Aluminium alloy
10	End cover	Aluminium alloy
11	Magnet seat	Aluminium alloy

Output torque table

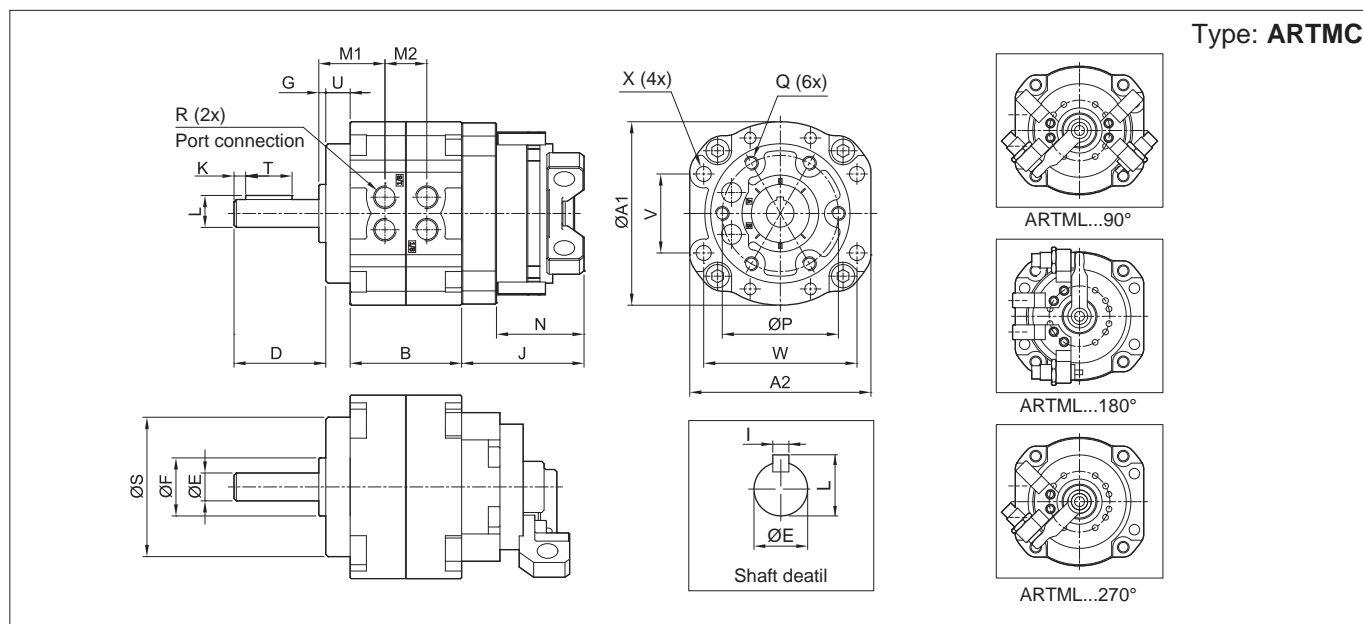


Rotation angle





Item	A1	A2	B	C	D	E	F	G	H	I	J	K	L	M1	M2	P	Q	R	S	T	U	V	W	ØX
50/90ARTM	79	78	70	19,5	39,5	12	25	3	10	4	13	5	13,5	26	18,2	50	M6x1,0p	RC1/8"	60	20	11	34	66	6,5
50/180ARTM																								
50/270ARTM																								
63/90ARTM	98	98	80	21	45	15	28	3	12	5	14	5	17	28,9	22,2	60	M8x1,25p	RC1/8"	75	25	14	39	83	9
63/180ARTM																								
63/270ARTM																								
80/90ARTM	110	110	90	23,5	53,5	17	30	3	13	5	16	5	19	30	30,2	70	M8x1,25p	RC1/4"	88	41	15	48	94	9
80/180ARTM																								
80/270ARTM																								
100/90ARTM	140	140	103	30	65	25	45	4	19	7	22	5	28	35,4	32,2	80	M10x1,5p	RC1/4"	108	40	11,5	60	120	11
100/180ARTM																								
100/270ARTM																								



Item	A1	A2	B	D	E	F	G	I	J	K	L	M1	M2	N	P	Q	R	S	T	U	V	W	ØX
50/90ARTMC	79	78	48	50,5	12	25	3	4	52,7	5	13,5	29	18	37,7	50	M6x1,0p	RC1/8"	60	20	11	34	66	6,5
50/180ARTMC																							
50/270ARTMC																							
63/90ARTMC	98	98	52	59	15	28	3	5	56,4	5	17	31,9	22,2	37,7	60	M8x1,25p	RC1/8"	75	25	14	39	83	9
63/180ARTMC																							
63/270ARTMC																							
80/90ARTMC	110	110	60	68,5	17	30	3	5	58,9	5	19	33	30	39,2	70	M8x1,25p	RC1/4"	88	36	15	48	94	9
80/180ARTMC																							
80/270ARTMC																							
100/90ARTMC	140	140	80	76,5	25	45	4	7	62,9	5	28	39,4	32,2	39,2	90	M10x1,5p	RC1/4"	108	40	11,5	60	120	11
100/180ARTMC																							
100/270ARTMC																							